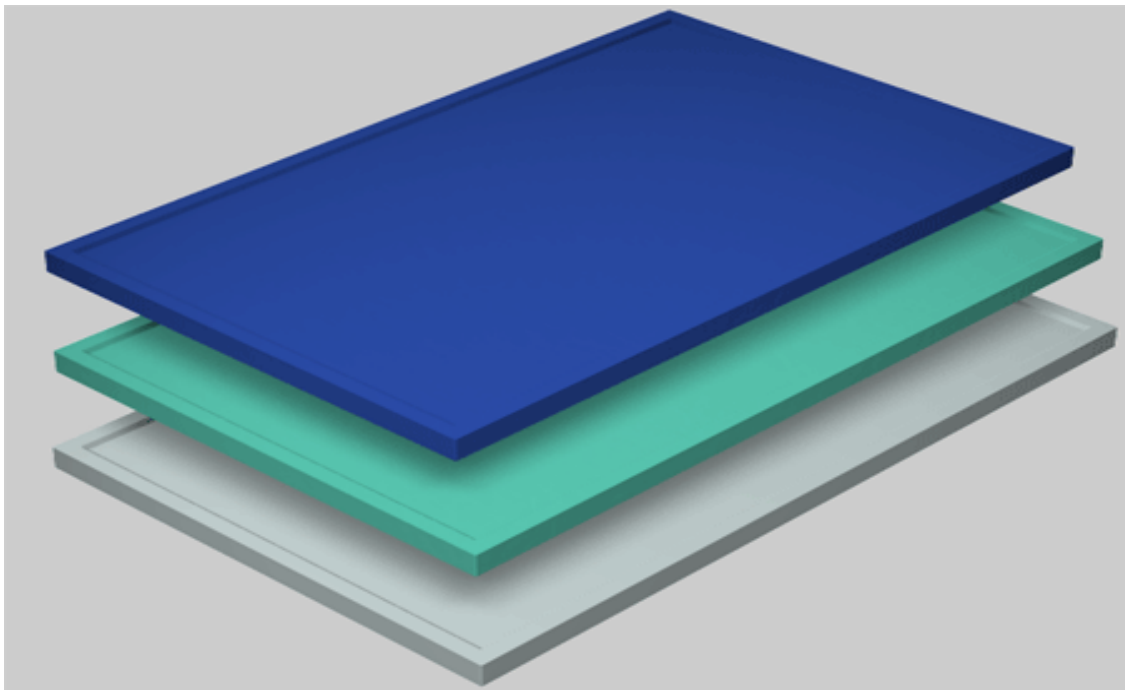




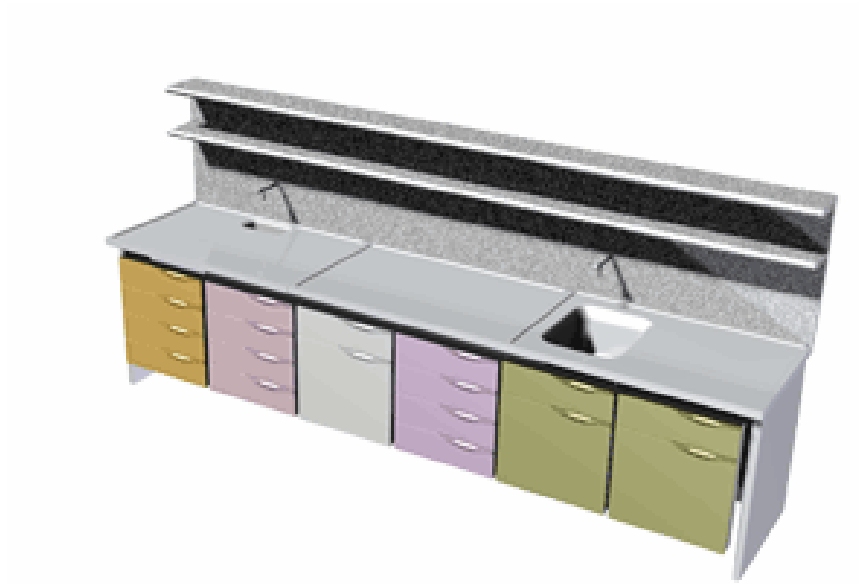
BENCH TOPS FOR LABORATORIES TESTED BY BREDA'S LABORATORIES

ADVANTAGES TO USE TEPLAR BENCH TOPS

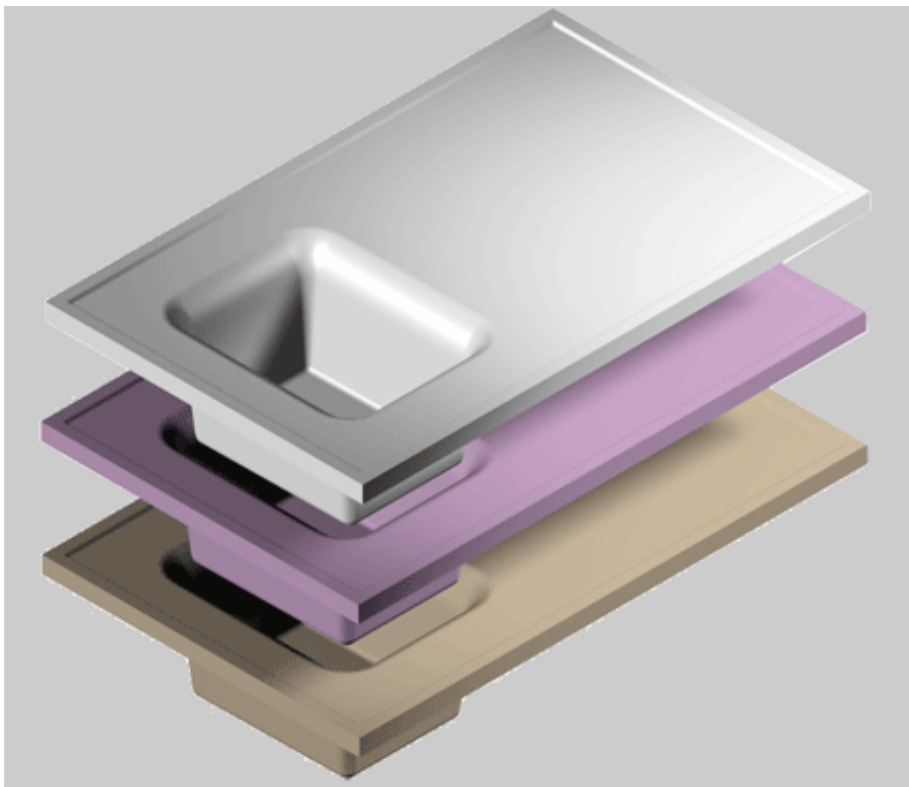
- LIGHT-ONLY 22 KG./SQM-EASY CLEANING-EASY PLACING -LOW TRANSPORT COSTS-IT CAN BE PIERCED OR SCREWED- NTEGRATED MONOBLOC BASIN-COLOURS (ALL RAL COLOURS)-IT CAN
- BE MOULDED WITHOUT JOINTS OR STICKINGS LIGHT-LOW SPECIFIC WEIGHT-COMpletely ASEPTIC-ACIDS
- RESISTANT -SOLVENTS RESISTANT-WATER REPELLENT-APHONIC-STABLE-MASS COLOURED-DIELECTRIC-
- ATHERMIC
- CAN BE REPAIRED



work tops TEPLAR with marine edge

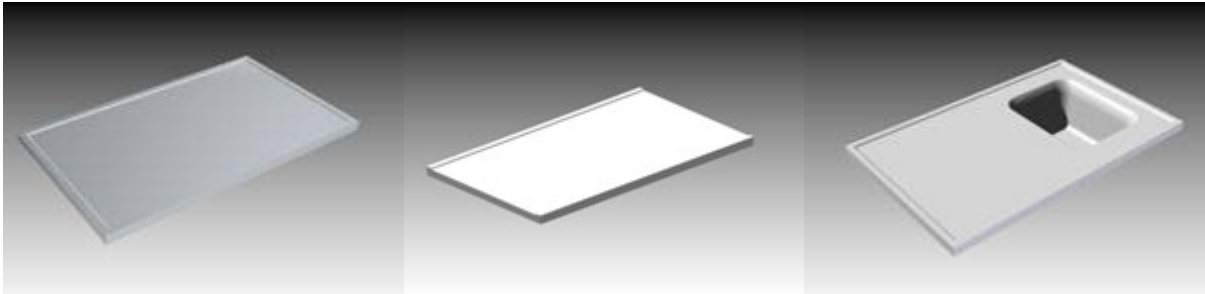


benches with drawer front made of TEPLAR



work tops with integrated sinks

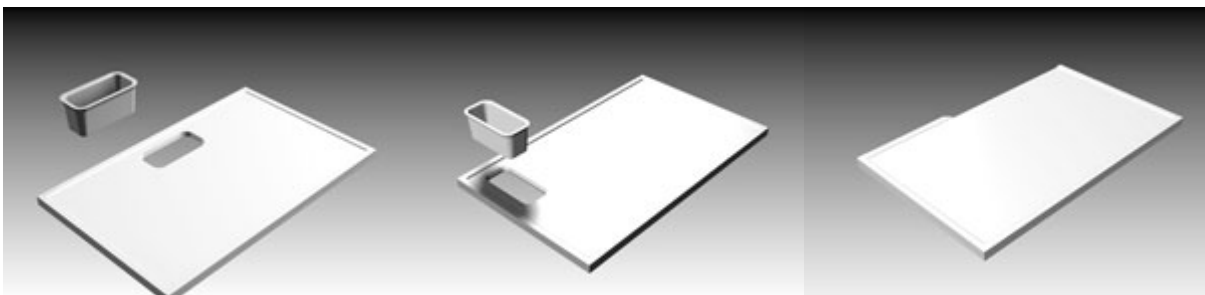
modular work tops



tops **SERIE WS**
1200-1500-1800 x 750 x 40

tops **Serie WE**
1200x750x40 without marine edge head

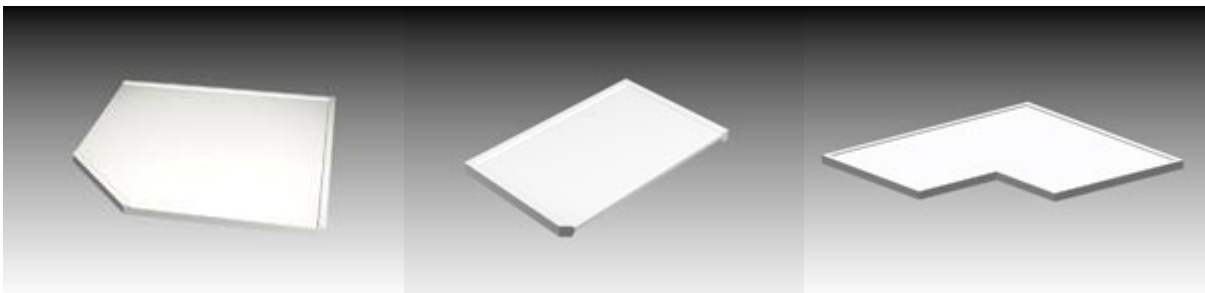
tops **SERIE WL** with sink
1200-1500-1800 x750 x 40
500 x 400 x 250 sink



tops **SERIE WT**
1200-1500 x 750x40 central hole

tops **SERIE WT**
1200-1500x750x40 hole DX-0-5X

tops **SERIE CS** for corner
1200 x 750 x 40



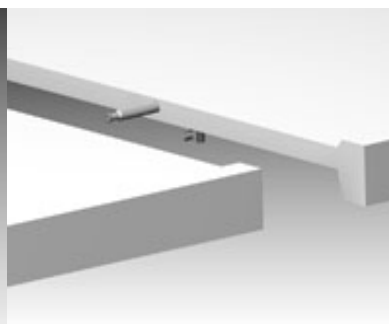
tops **SERIE DC** corner to 450mm
1068 x1068 x 750

tops **SERIE CT** with corner
428 x 750 x40

tops **SERIE CC** complet corner
1200 x 1200 x 40



sink for SERIE WS
270 x 100 x120



mechanical joint



tool for joint holes

